

TranspaLink



Transparent Shutter System

TranspaLink

Transparent Shutters



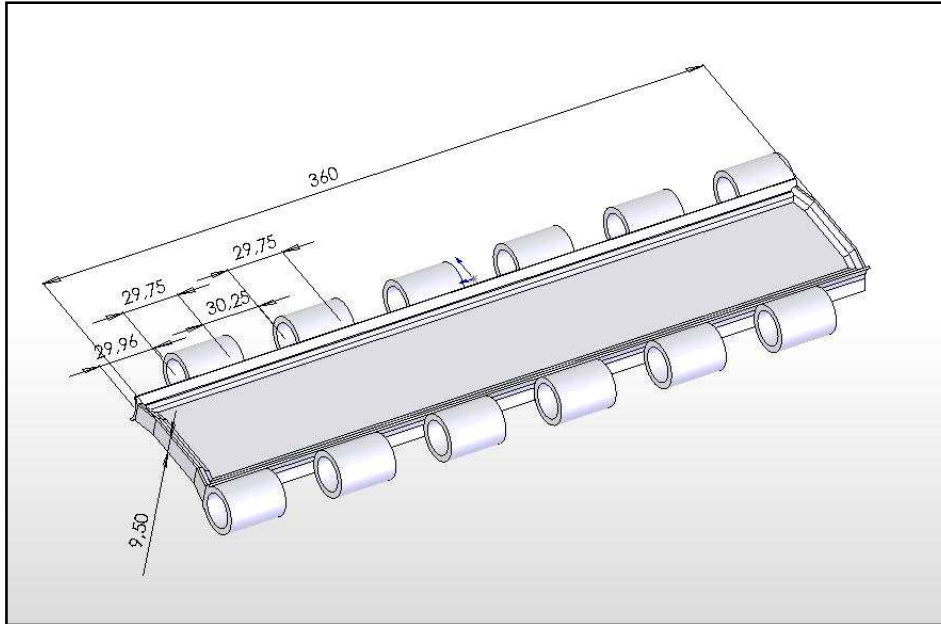
- **Allows 87% transparency through the opening - better than any comparable solution.**
- **Unique aluminium linking sections allowing the system to be incorporated with solid steel laths if required**
- **The material strength is greater than that of steel, and the design structure gives superior resistance to attack.**
- **Vastly reduces air, water and particle transference through the opening when compared to perforated systems.**
- **Enhances the look of an opening.**
- **Is appropriate for use in retail outlets, commercial offices, schools, banks, garages, industrial premises, post offices, health centres etc..**



ALUMINIUM
BOTTOM RAIL



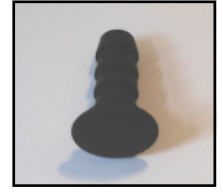
ALUMINIUM
TUBE



LINK DETAIL



SPACER FOR
CUT LINKS



ENDCAPS



CONVERTER

Technical Details:

LINK DIMENSIONS: 360mm WIDE x 85mm WORKING HEIGHT

NOTE! LINKS CAN BE ASSEMBLED EITHER IN-LINE OR BRICK-BOND PATTERN

NUMBER OF LINKS PER SQUARE METRE: 32.7 (35)

LINK MATERIAL HAS BEEN TESTED TO ACHIEVE CATEGORY M2 FIRE CLASSIFICATION

ALUMINIUM BOTTOM RAIL HEIGHT: 85mm (working height including rubber)

CONVERTERS ARE USED TO LINK TO STANDARD 3" SCROLLED LATH (USUALLY USED TO LINK CURTAIN TO BARREL)

STEEL GUIDE DIMENSIONS: 90mm (nom) DEEP X 42mm (nom) WIDE

MILL-FINISH ALUMINIUM TUBES 16mm DIAMETER: 8 MTR LENGTHS

WEIGHT OF CURTAIN PER SQUARE METRE: 9.5kg

THE SPECIAL POLYCARBONATE MATERIAL DOES NOT SUPPORT COMBUSTION

ENDCAPS FIT DIRECTLY INTO THE ALUMINIUM TUBE

COILS ONTO STANDARD 4" TUBE (MINIMUM)

MAXIMUM RECOMMENDED SIZES*: 6000mm IN THE WIDTH, 4000mm IN THE HEIGHT

| <u>COIL SIZES:</u> | 4" TUBES | 5" TUBES |
|--------------------|-------------------------|-------------------------|
| | UP TO 3500mm: 14" plate | UP TO 2000mm: 14" plate |
| | UP TO 4000mm: 15" plate | UP TO 3000mm: 15" plate |
| | | UP TO 4000mm: 16" plate |

(HEIGHTS REFER TO GUIDE/OPENING HEIGHT)

CUT SIZE CALCULATIONS:

THE THICKNESS OF THE ENDCAPS IS 3mm

THE WALL THICKNESS OF THE GUIDES IS 3mm

THEREFORE IF THE BACK OF GUIDES DIMENSION IS 3000mm, THE CUT LENGTH OF THE TUBES WILL BE:

$$3000 - [(2 \times 3) - (2 \times 3) - (2 \times \text{CLEARANCE}^*)]$$

*PLEASE REFER TO PORTICO FOR ANY ADDITIONAL GUIDANCE REQUIRED

The TranspaLink system is distributed in the UK by:

Portico Products
an ISO9001:2008 certified company

and member of:
National Association of Shopfitters

and:
Advanex Group



www.porticoproducts.com