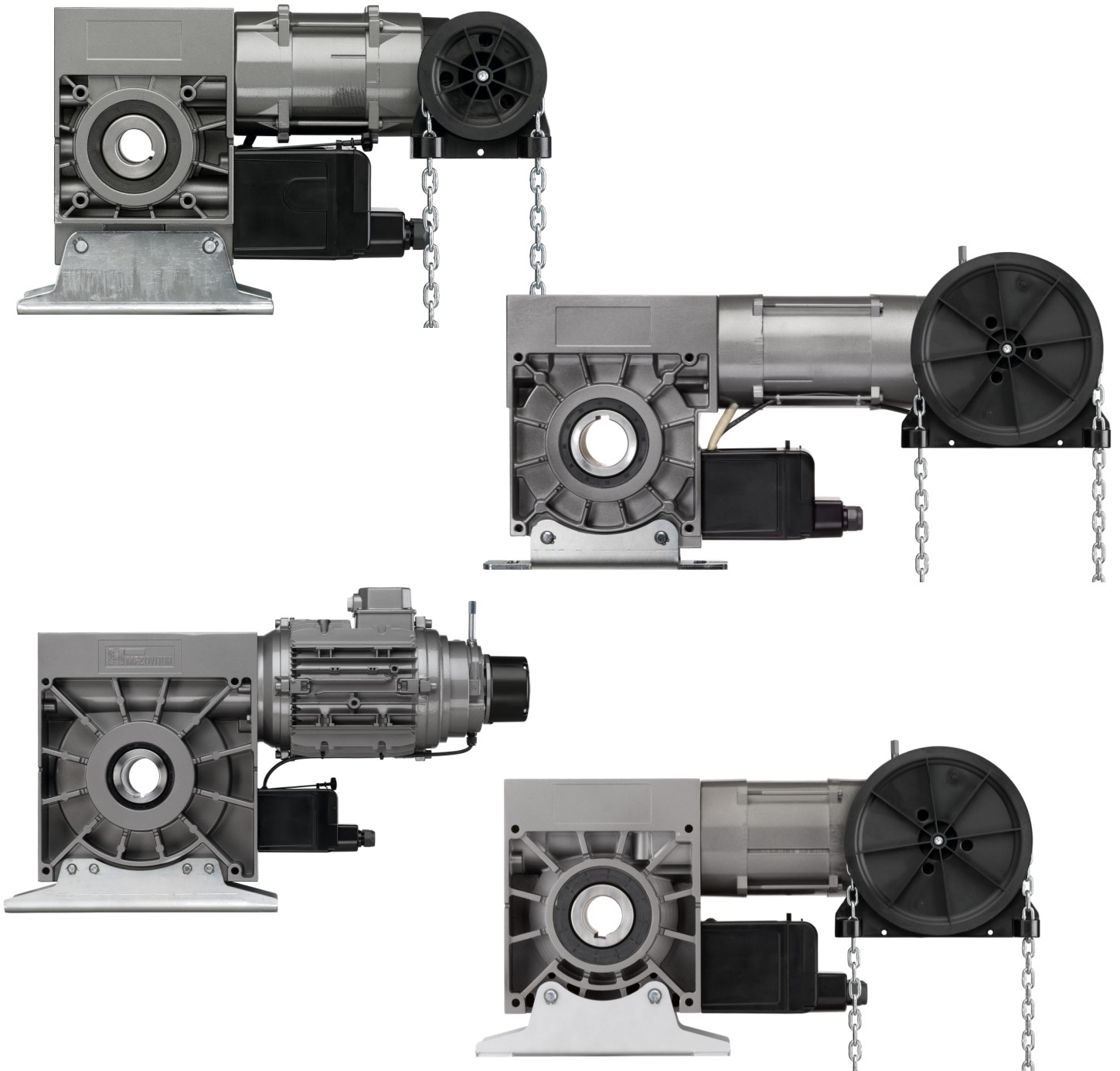


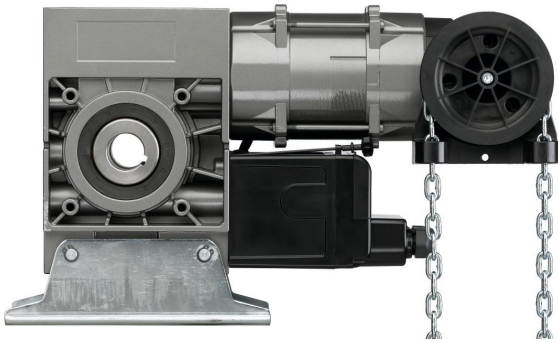
## MDF MWF DIRECT DRIVE OPERATORS



**Please Contact Our Sales Department On 01928 579050 For Further Information**

# Link Controls

## MDF MWF DIRECT DRIVE OPERATORS

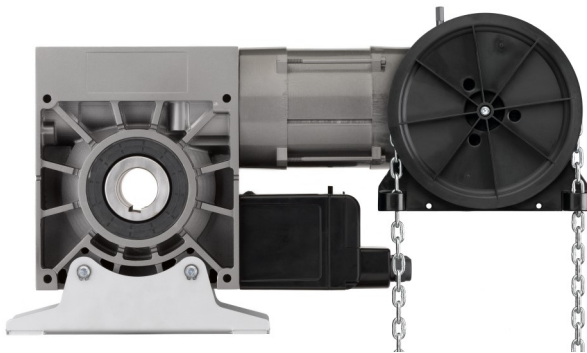


Mechanical limits



Electronic limits

**MDF2/20-22 / MDF3/30-30 3phase** and **MWF2-22 1phase** 30mm bore operators.  
FLM (KE) low level manual override standard

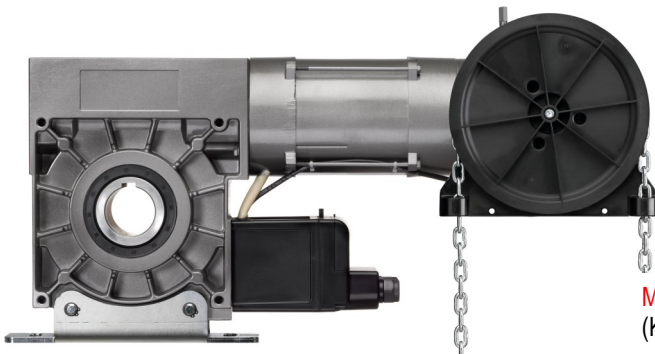


Mechanical limits



Electronic limits

**MDF3/30-42 / MDF3/30-50 3phase** and **MWF3-38 1phase** 40mm bore operators.  
FLM (KE) low level manual override standard

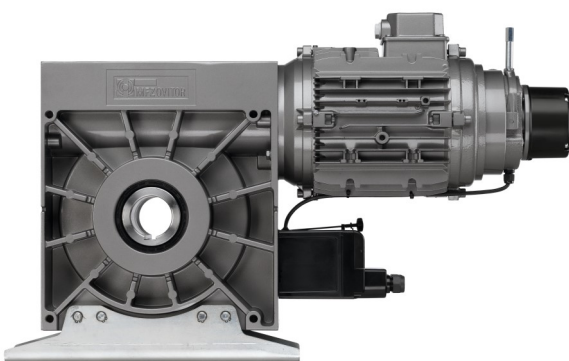


Mechanical limits  
MDF5 only



Electronic limits

**MDF5/50-75 / MDF60-100\* / MDF60-140\* 3phase** 50mm bore operators. FLM (KE) low level manual override standard \*Electronic limit only



Electronic limits

**MDF70-165 / MDF70-200 Electronic limit 3phase** (3ph, N & E supply required)  
55mm bore operators. HCR (KU) handcrank manual override standard

# Link Controls

## Technical details at a glance

<b>3ph</b>	Torque (Nm)	Output Speed (RPM)	Power (Kw)	Operating Voltage (VAC)	Motor Current (A)	Duty Rating (%)	Protection Grade (IP)	Hollow Bore (mm)	Manual Override
MDF2/20-22	220	12	0.75	400 / 3~50Hz	2.8	60	54	30	KE
MDF3/30-30	300	12	1.1	400 / 3~50Hz	3.1	60	54	30	KE
MDF3/30-42	420	12	1.1	400 / 3~50Hz	5.1	60	54	40	KE
MDF3/30-50	500	12	1.1	400 / 3~50Hz	5.7	60	54	40	KE
MDF5/50-75	750	10	1.4	400 / 3~50Hz	3.9	60	54	50	KE
MDF60-100	1000	9	1.5	400 / 3~50Hz	6.9	60	54	50	KE
MDF60-140	1400	9	2.0	400 / 3~50Hz	7.0	60	54	50	KE
MDF70-165	1650	8	2.2	400 / 3~50Hz	6.7	60	54	55	KU
MDF70-2000	2000	8	2.5	400 / 3~50Hz	8.1	60	54	55	KU

<b>1ph</b>	Torque (Nm)	Output Speed (RPM)	Power (Kw)	Operating Voltage (VAC)	Motor Current (A)	Duty Rating (%)	Protection Grade (IP)	Hollow Bore (mm)	Manual Override
MWF2/20-22	150	12	0.75	230 / 1~50Hz	9.5	25	54	30	KE
MWF3/30-38	380	12	1.2	230 / 1~50Hz	14.0	25	54	40	KE

<b>3ph Heavy duty</b>	Torque (Nm)	Output Speed (RPM)	Power (Kw)	Operating Voltage (VAC)	Motor Current (A)	Duty Rating (%)	Protection Grade (IP)	Hollow Bore (mm)	Manual Override
MDF2/20-15	150	12	0.55	400 / 3~50Hz	1.8	80	54	30	KU *
MDF3/30-27	270	12	0.75	400 / 3~50Hz	2.1	80	54	40	KU*
MDF5/50-65	650	10	1.1	400 / 3~50Hz	3.1	80	54	50	KU*
MDF60-100	1000	9	1.5	400 / 3~50Hz	6.1	80	54	50	KU

\* KE Floor level handchain override system available

\* Please consult for Inverter options on any 3ph units above £POA

Manual Override	
KE (FLM)	Floor level handchain override system (30mm kits 8mtrs, 40/50 kits 10mtrs)
KU (HCR)	Handcrank manual override system

# Link Controls

## Controls

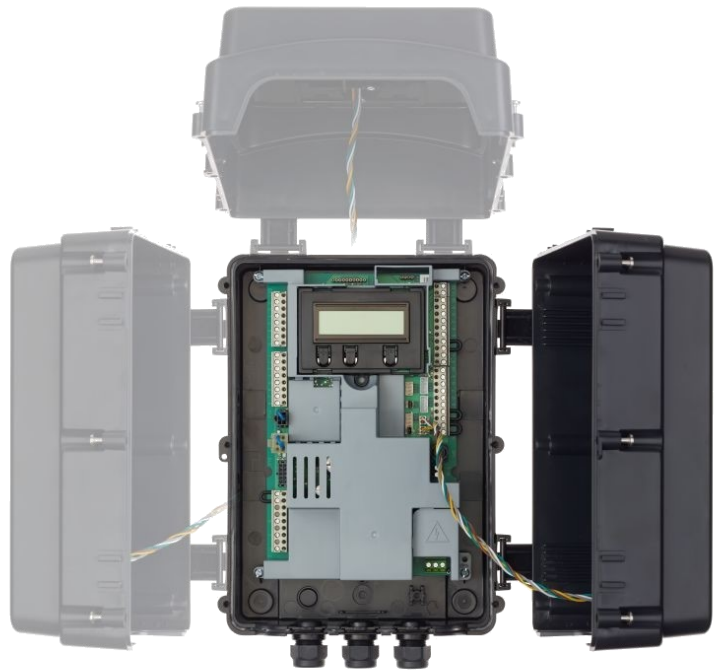
### **CS 250 (HLE\* / LLE / HLM\* / LLM)**

- Supply selection between 400v 3ph or 230v 1ph
- Pluggable terminal connections (screw)
- Mechanical or Electronic limit connection
- 2 programmable relay outputs with over 20 functions
- Rotation direction detection
- Cycle counter
- LCD programmer with clear text display\*\*
- \* HLE / HLM options supplied with blank enclosure
- Please ask for data sheet CS 250 for more details*



### **CS 310 (LLE / LLM)**

- Supply selection between 400v 3ph or 230v 1ph
- Pluggable terminal connections (screw)
- Mechanical or Electronic limit connection
- 4 programmable relay outputs with over 30 functions
- Rotation direction detection
- Fault log record and maintenance counter
- LCD programmer with clear text display\*\*
- Illuminated panel mounted pushbuttons
- Status and diagnostic messages
- Cycle counter
- IP65 hinged enclosure with cable glands and adjustable mounting feet
- Please ask for data sheet CS 310 for more details*



\*\* see opposite for LCD programmers

# Link Controls

## Controls and Accessories



CS250



CS310



CS-I intelligent pushbutton station (AWG)



LCD programmer with cable\*\*



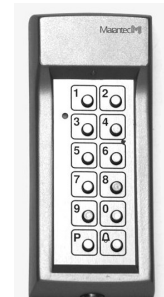
LCD programmer panel mount (CS-310) \*\*



Radio receiver



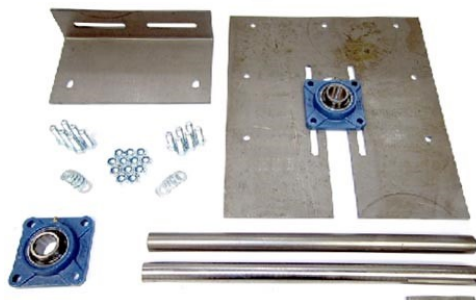
Hand transmitter



Wireless Coded Keypad 4 Channel (IP65)



Red / Green traffic lights



Bracket pack (flat or return plates)



2mtr / 2.5mtr Light curtains



Retro reflective photocell



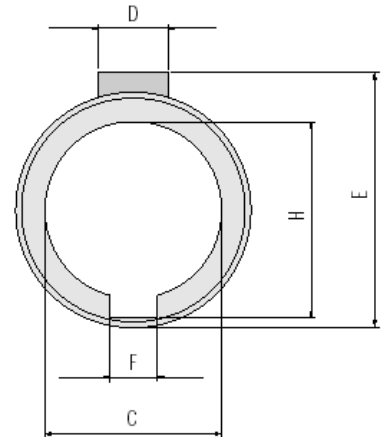
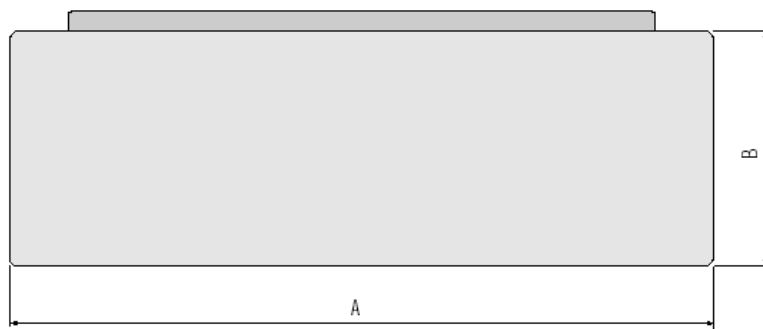
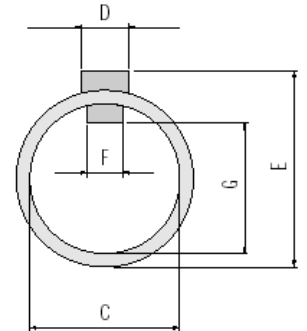
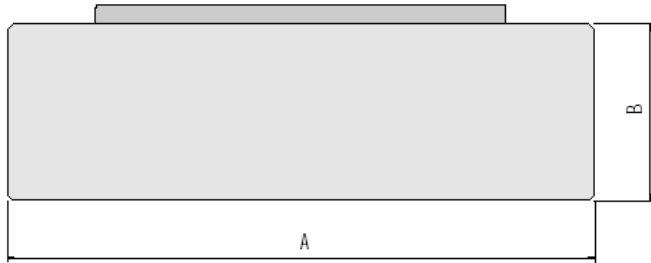
Send & Receive photocell



Special 630 2-wire photocell MS-BUS\*

# Link Controls

## Adaptor sleeves

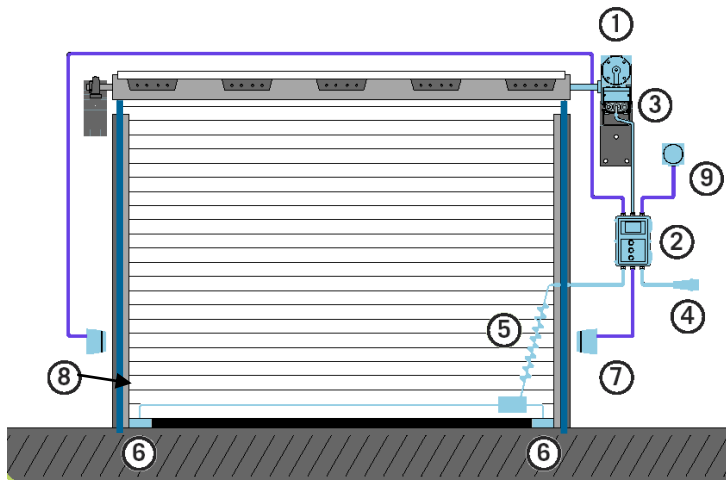


		A	B	C	D	E	F	G	H
29-0171	30mm / 25mm reduction collar	100	30	25	8	33.3	8	21.3	-
29-0172	30mm / 1" reduction collar	100	30	25.4	8	33.3	6.35	21.7	-
29-0159	40mm / 30mm reduction	120	40	30	12	43.3	8	-	33.3
29-0173	40mm / 1" reduction collar	120	40	25.4	12	43.3	6.35	-	28.0
29-0174	40mm / 1&1/4" reduction collar	120	40	31.75	12	43.3	6.35	28.1	-
29-0178	40mm / 35mm reduction collar	120	40	35	12	43.3	10	30.3	-
29-0168	50mm / 40mm reduction collar	170	50	40	14	53.8	12	35.3	-
29-0177	50mm / 45mm reduction collar	170	50	45	14	53.8	14	39.8	-

Additional sizes available upon request

# Link Controls

## Typical roller shutter door configurations



### Drive and control options

1. FLM (KE) / HCR (KU)
2. Controls LLE / LLM
3. Motor
4. Phase plug 1ph or 3ph supply
5. Spiral cable for safety edge (wireless edges available)
6. Safety edge, Optical, Conductive or Pneumatic
7. Photocells, Retro reflective or Send and receive
8. 2mtr or 2.5mtr Light curtains
9. Red and Green Traffic lights available

### Override Options

FLM (KE) : Low level manual override

HCR (KU) : Handcrank manual override

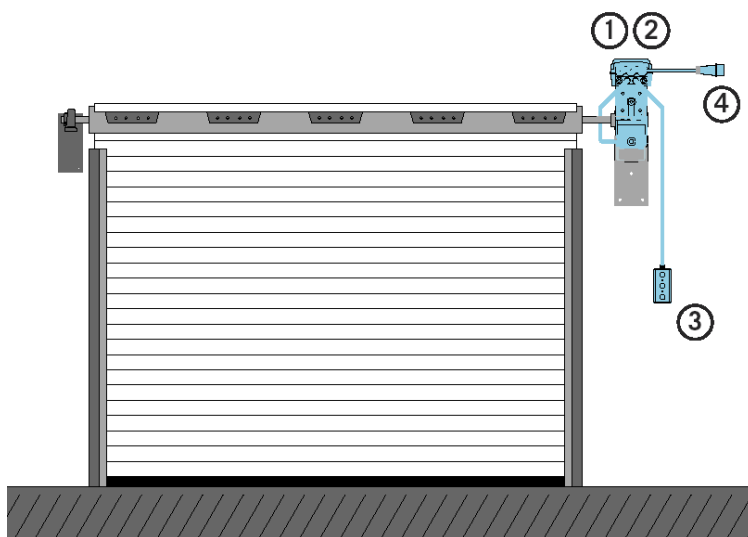
### Control Options

LLM : Low Level **M**echanical limit starter

LLE : Low Level **E**lectronic limit starter

HLM : High Level **M**echanical limit starter

HLE : High Level **E**lectronic limit starter



### Drive and control options

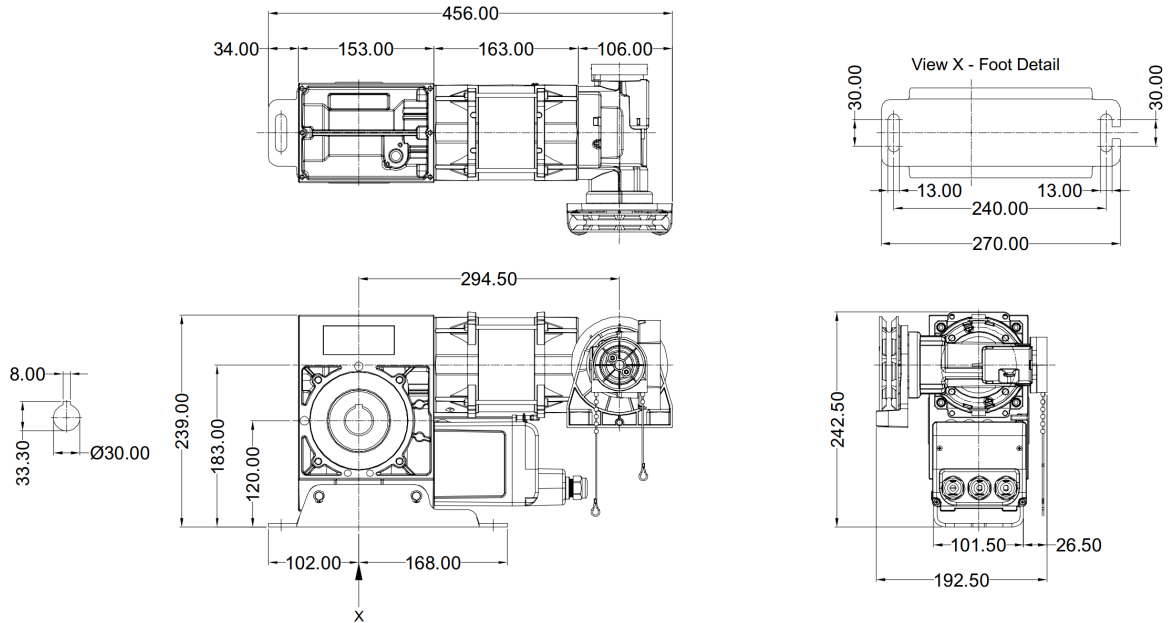
1. FLM (KE) / HCR (KU)
2. Controls HLE / HLM CS AWG option
3. Low level pushbutton (CS-I option AWG)
4. Phase plug 1ph or 3ph supply

We manufacture barrel assemblies for direct drives, bearings can be mounted inboard or outboard, tube sizes range from 4"16swg to 5½" x 5mm in widths from 2 to 8\* metre lengths.

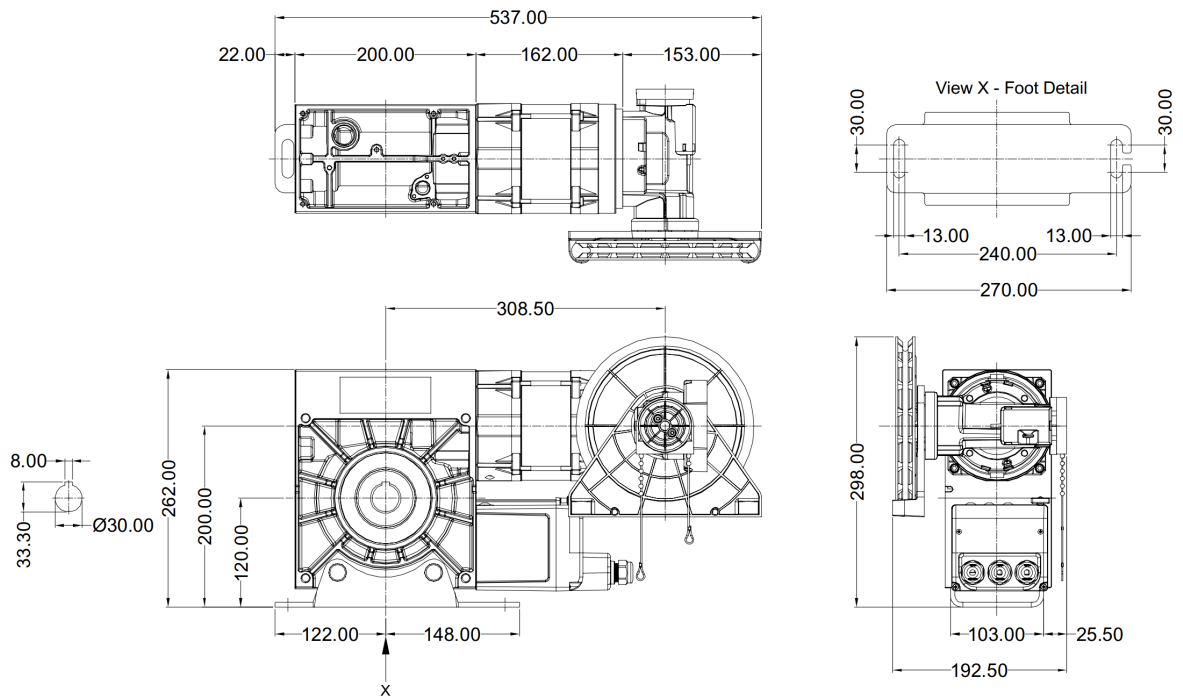
# Link Controls

## Product Dimensions

### MDF2/20-22



### MDF3/30-30

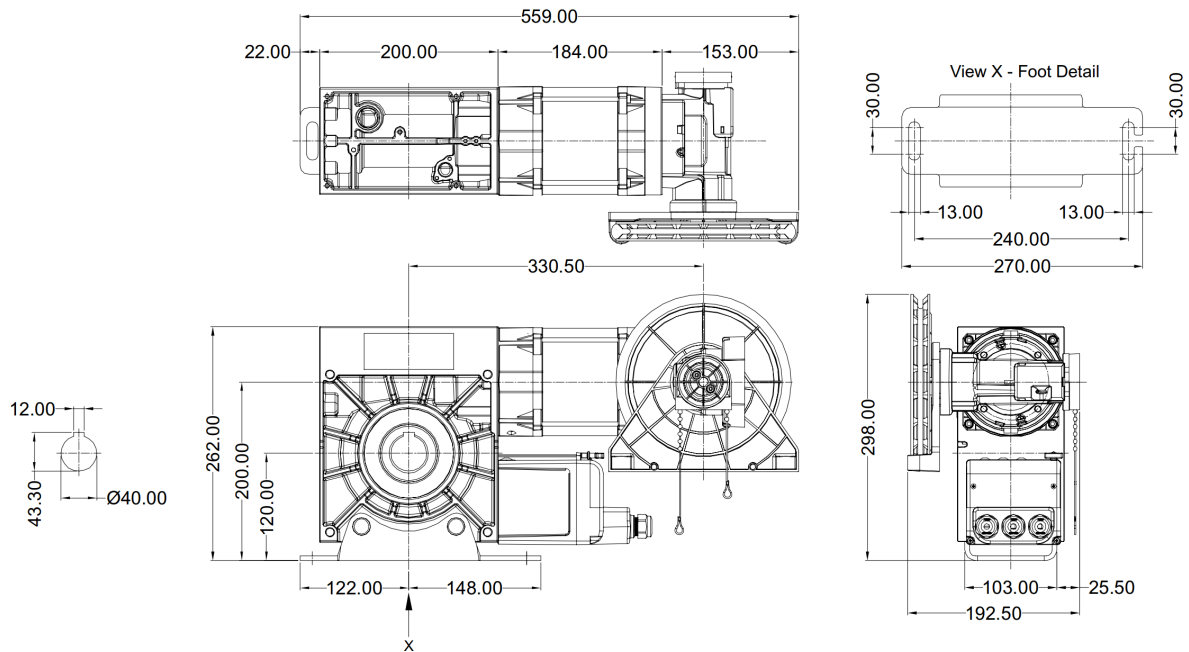




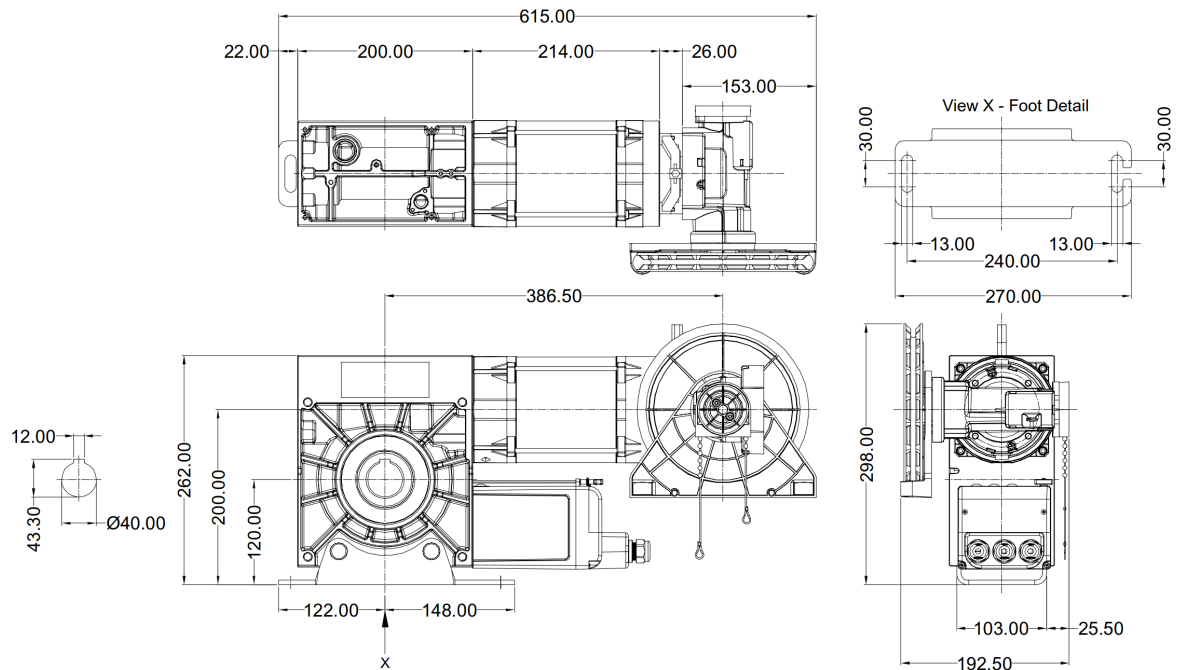
# Link Controls

## Product Dimensions

### MDF3/30-42



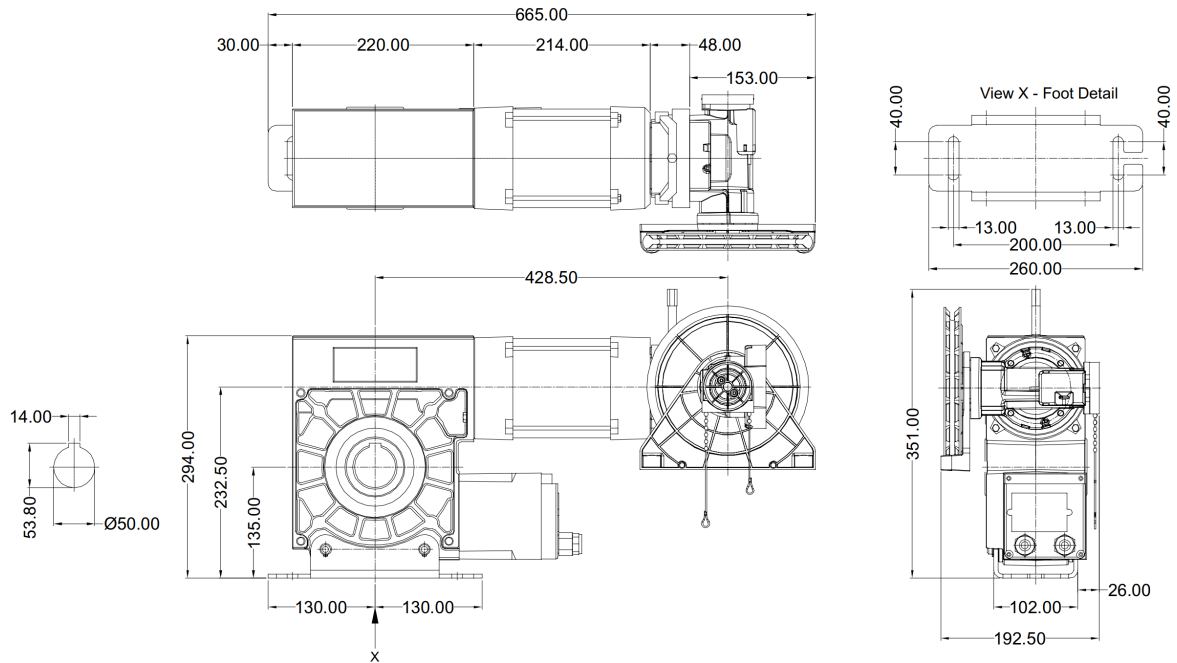
### MDF3/30-50



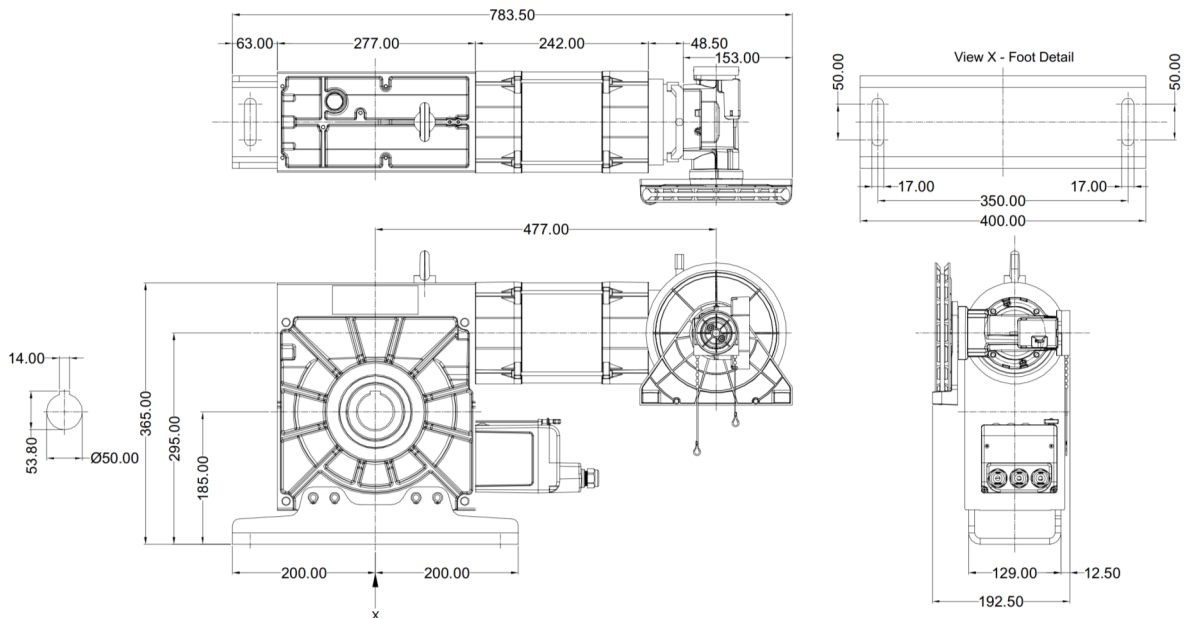
# Link Controls

## Product Dimensions

### MDF5/50-75



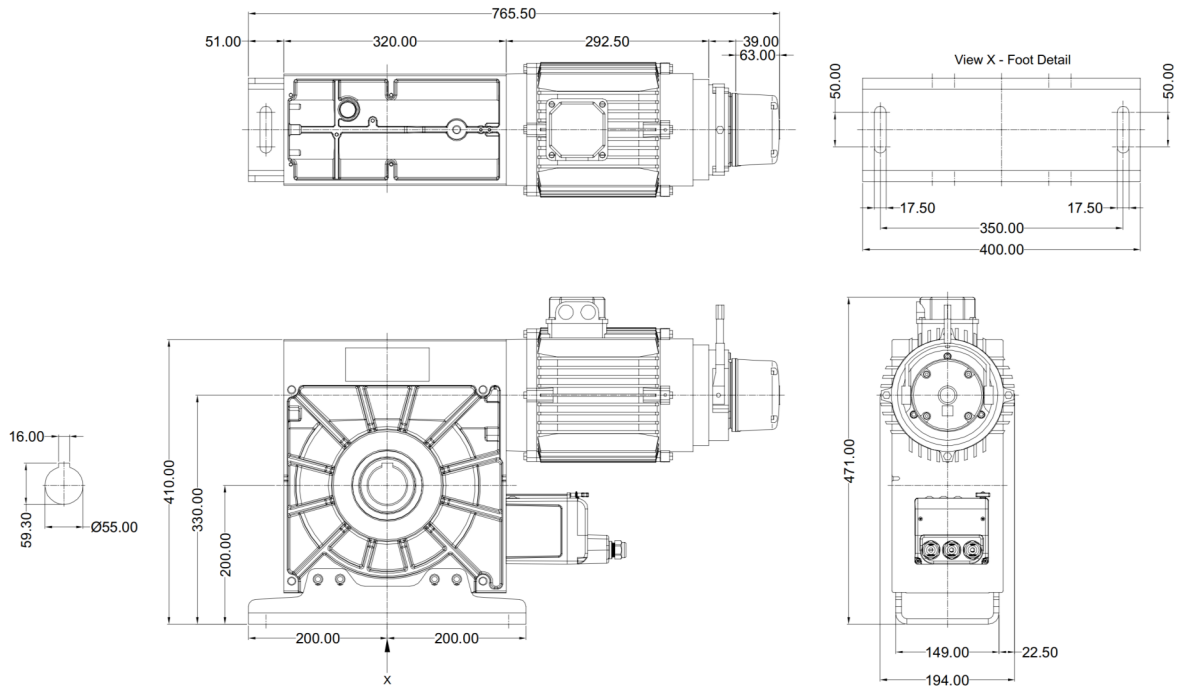
### MDF60-140



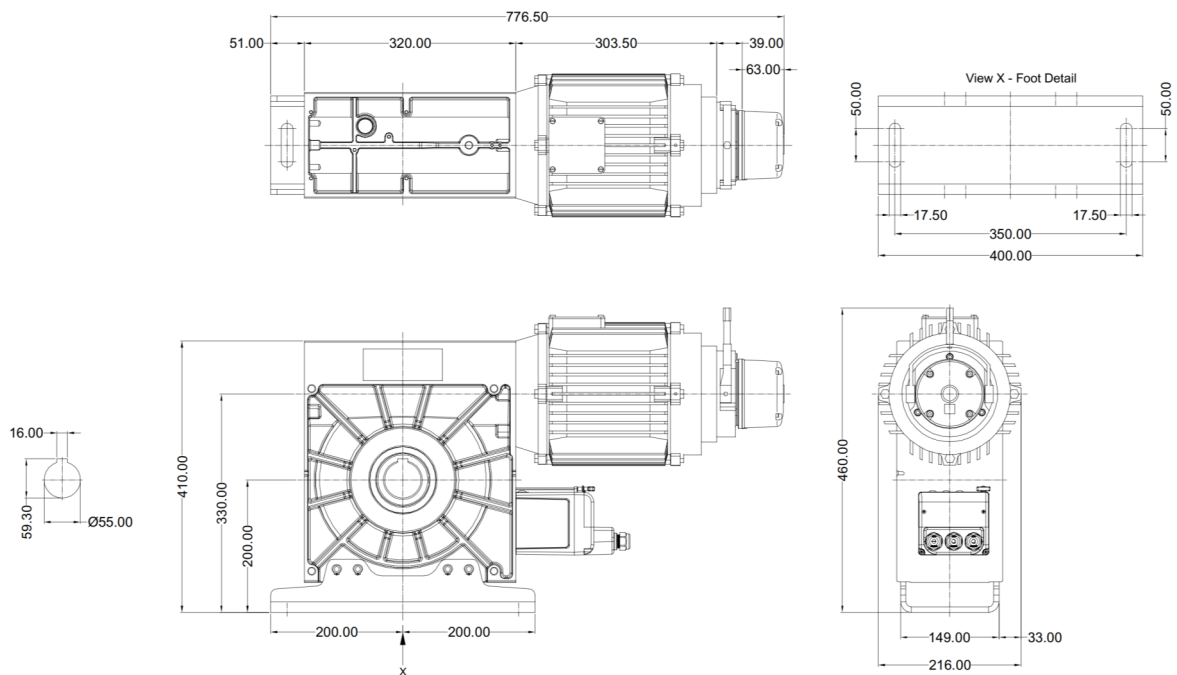
# Link Controls

## Product Dimensions

### MDF70-165



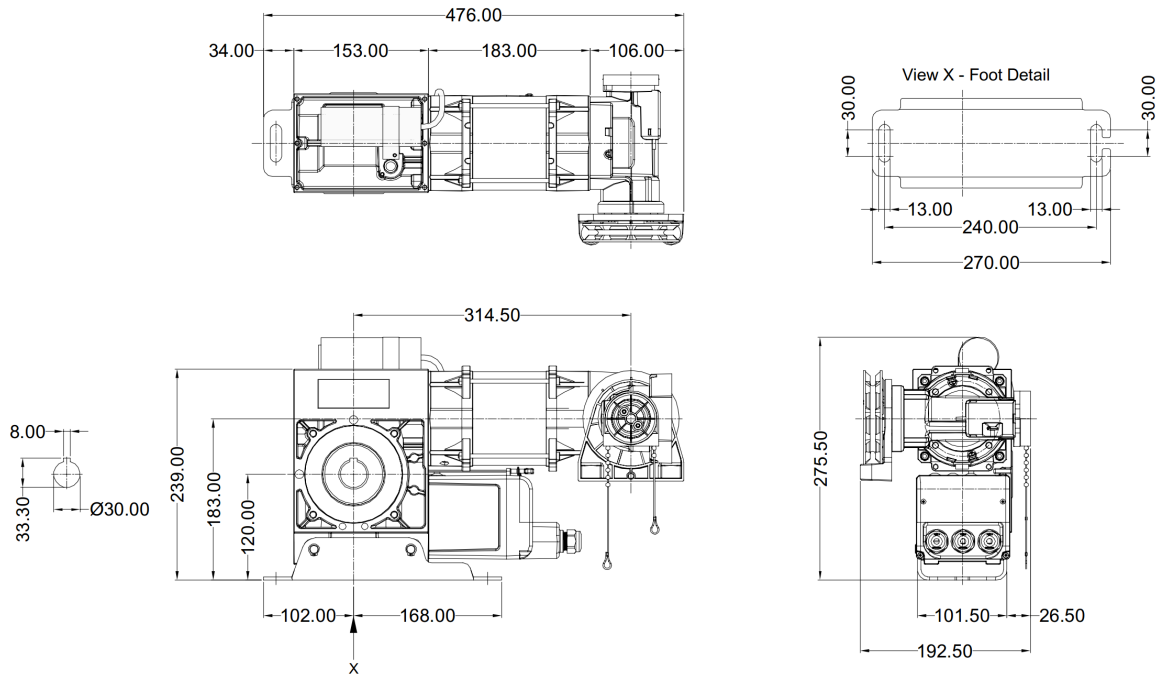
### MDF70-200



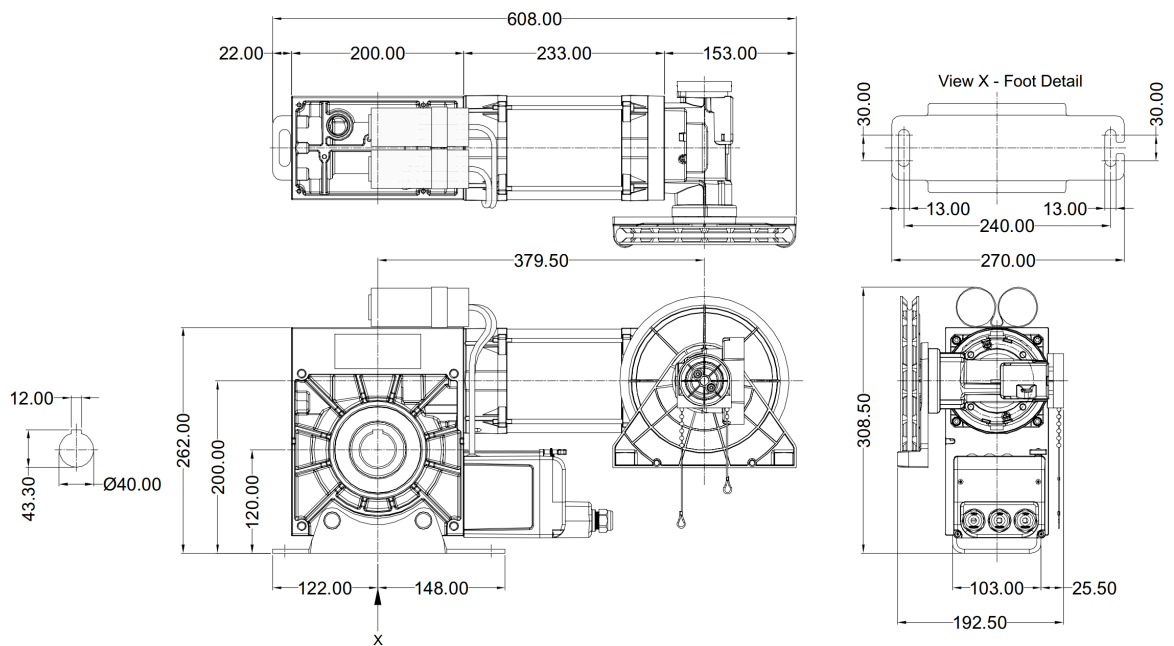
# Link Controls

## Product Dimensions

### MWF2/20-22



### MWF3/30-38

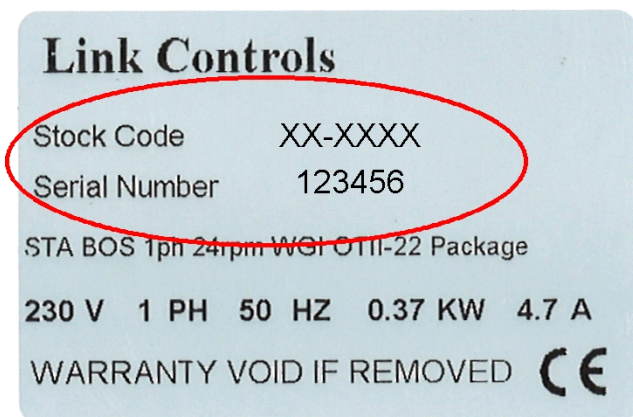


# Link Controls

## What we need to know to automate your door

- Door Width
- Door Height
- Barrel size
- Material (Lath, inc. gauge / Insulated)
- Thickness of Lath
- Galvanised, Powder coated, Perforated
- Bottom bar, L rail or T rail
- Type of drive, chain or gear and pinion (ratio if known) or Direct drive
- *HCR (KU) - Handcrank manual override*
- *FLM (KE) - Low level manual override*
- Safety Requirements
- Starter Control Type (*1ph or 3ph*)
- Starter control pre-wires available for high or low level controls
- Usage / Duty or application
- Opening time

\* Please advise any other ENTRY/EXIT or SAFETY requirements you may need



**Can you see our label?**

# Link Controls

---

## Notes

# Link Controls

---

## Notes

# Link Controls

**We have a comprehensive range of products to automate and control your applications.  
If required we can custom build a solution to meet your requirements.**

## Roller Shutter Doors

Flange mount packages—mechanical and electronic limit options, 1 phase and 3 phase (DELTA options)

MDF direct drive packages—mechanical and encoder limit options, 1 phase and 3 phase (DELTA options)

Bracket packs supplied with flat or return plates, shafts, discs and bearings

Drive chain sets including platewheels, sprockets, safety brakes, shafts, discs, bearings

## Sectional Door packages

Hollow bore 1 phase and 3 phase sectional door operators, mechanical and electronic limit options

Various adaptor shafts

## Sliding folding door operators

1 phase and 3 phase operators

Accessories including idler tensioners and chain grippers.

## Controls and Accessories

1 phase and 3 phase control panels to suit mechanical and or electronic limits , keypads, key switches,  
Loop detectors plug in or stand alone, loop cable, Dock leveller controls, Custom build panels as required,

Pushbutton stations, radio receivers and transmitters, pull switches, palm switches, timers, intercoms, GSM systems, Radar motion detectors, Sirens,  
Red and Green traffic lights, Proximity systems and fobs, Safety edge kits, Optical, Pneumatic, Conductive (wireless available), photocells, light curtains

## Fire Door Operators

NBG range of 1 phase and 3 phase operators

Bracket packs, release units either automatic reset or manual, Audio visual interface control panels, heat and smoke detectors

## Hazardous Area Operators (ATEX, Exd)

Flange mount operators, direct drive operators, sectional door operators, controls and accessories to suit

ZONE 1 and 2 or 21 and 22, IIB, GD, T4 rated operators (Gas or Dust)

(IIC, Hydrogen specification motors available upon request)

## Rapid Roll Door Operators

High speed operators with either mechanical or electronic limits

SPEEDLINK INVERTER CONTROL PANELS (075Kw to 4Kw)

Bracket packs, adaptor sleeves, various accessories

## Tubular motors

EURODRIVE range of tubular motors 12Nm to 500Nm with or without manual override

Barrel assemblies

Radio receivers and transmitters

Control equipment

UPS battery back up systems

## Gates and Barriers

Swing gate operators, RAM and INGROUND options, domestic and industrial applications

Sliding gate operators, domestic and industrial applications

Road traffic barriers

Accessories including photocells, radio, safety edge options, coded key pads, screw and weld on toothed racking, inground gate track and wheels to suit.

**Please Contact Our Sales Department On 01928 579050 For Further Information**